
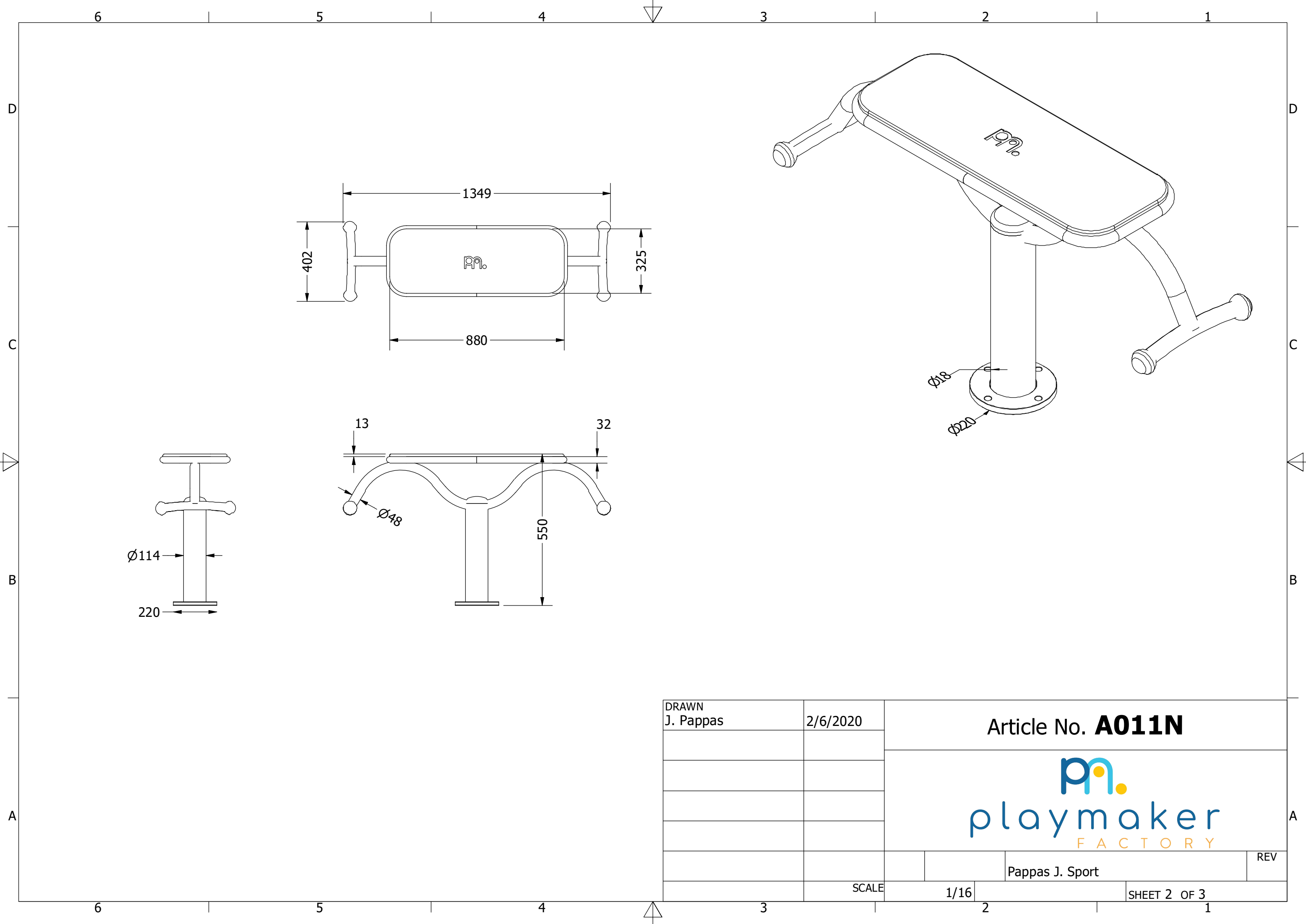



# ΟΡΓΑΝΟ ΠΑΓΚΟΥ ΚΟΙΛΙΑΚΩ ΕΞΩΤΕΡΙΚΟΥ ΧΩΡΟΥ

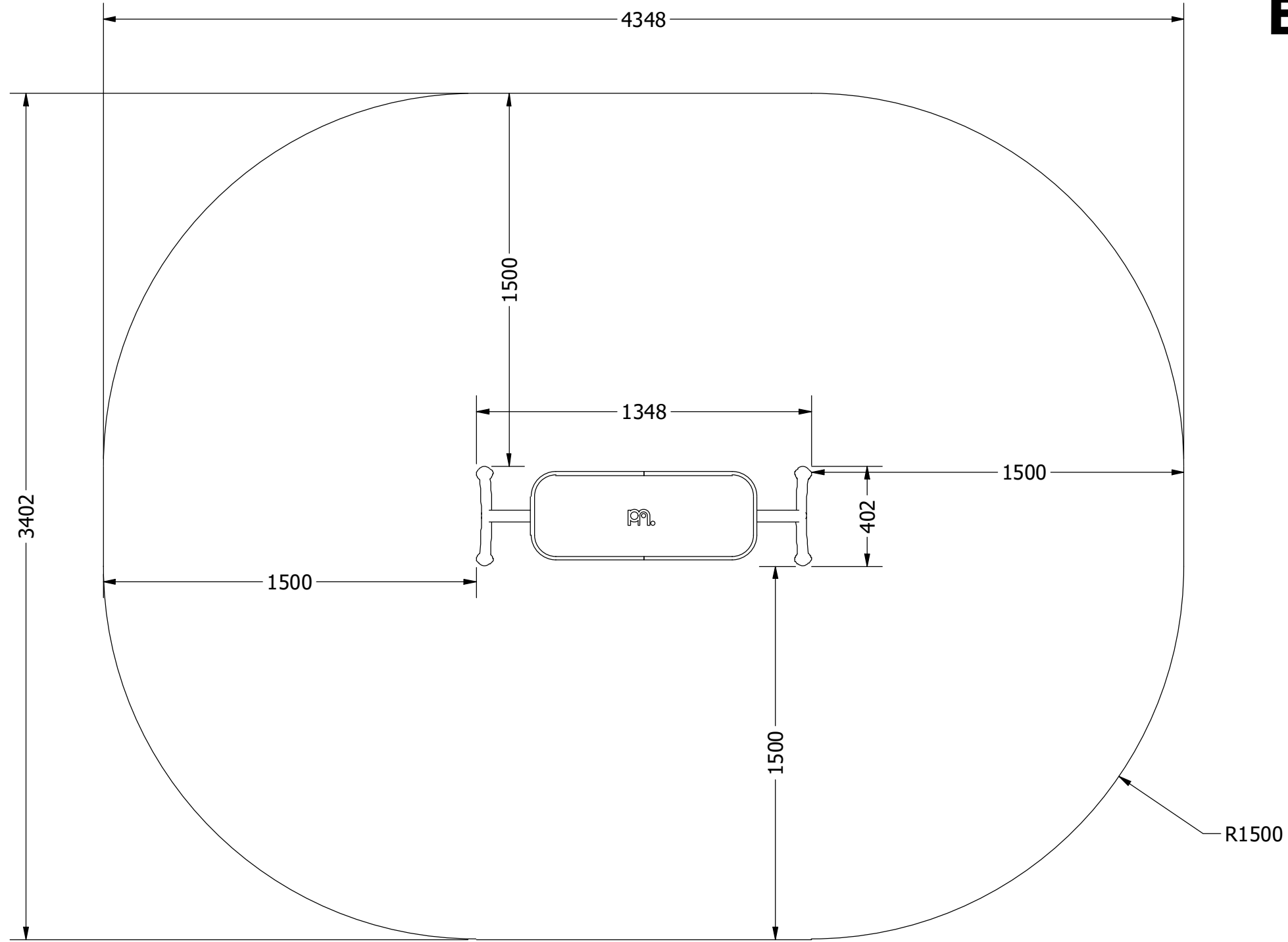



DRAWN J. Pappas	2/6/2020	Article No. <b>A011N</b>		
				
		Pappas J. Sport		REV
	SCALE	1/8	SHEET 1 OF 3	



DRAWN J. Pappas	2/6/2020	Article No. <b>A011N</b>	
			
		Pappas J. Sport	REV
SCALE	1/16	SHEET 2 OF 3	

# ΕΠΙΦΑΝΕΙΑ ΠΤΩΣΗΣ



DRAWN J. Pappas	2/6/2020	Article No. <b>A011N</b>		
				
		Pappas J. Sport		REV
	SCALE	1/20	SHEET 3 OF 3	