




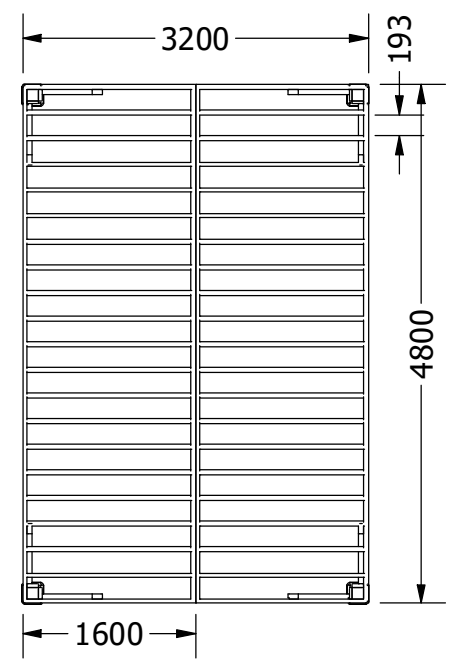
# ΠΕΡΓΚΟΛΑ 2

DRAWN J. Pappas	2/6/2021	Article No. <b>C0162021 - 2</b>		
				
		Pappas J. Sport		REV
	SCALE	1 / 40	SHEET 1 OF 2	

6 5 4 3 2 1

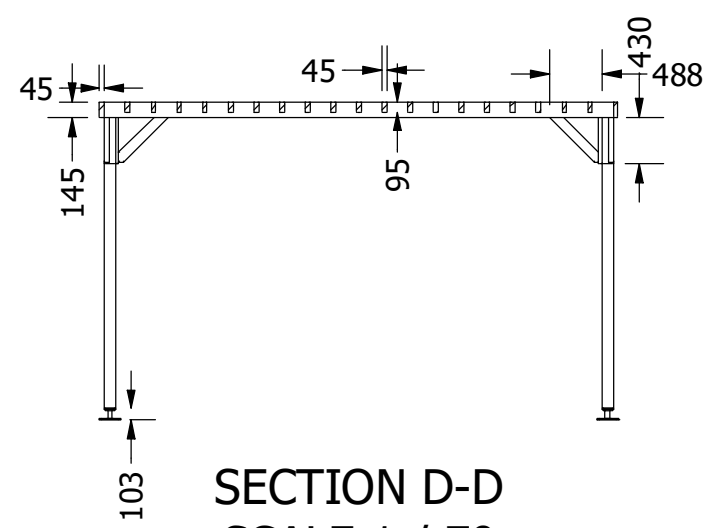
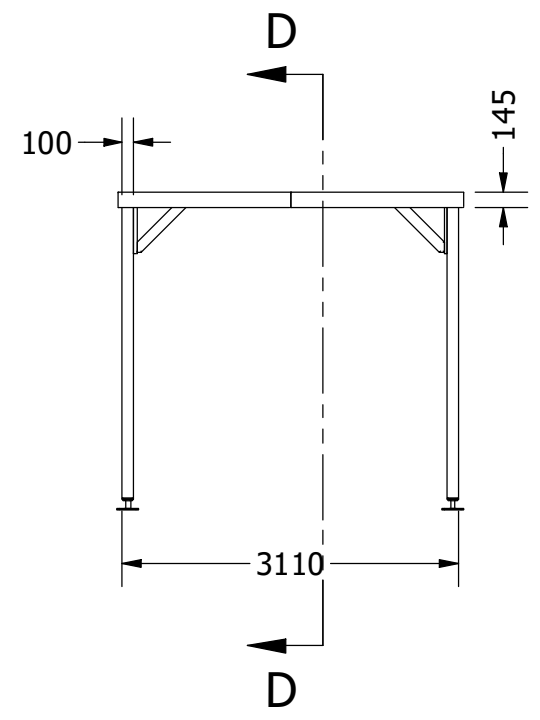
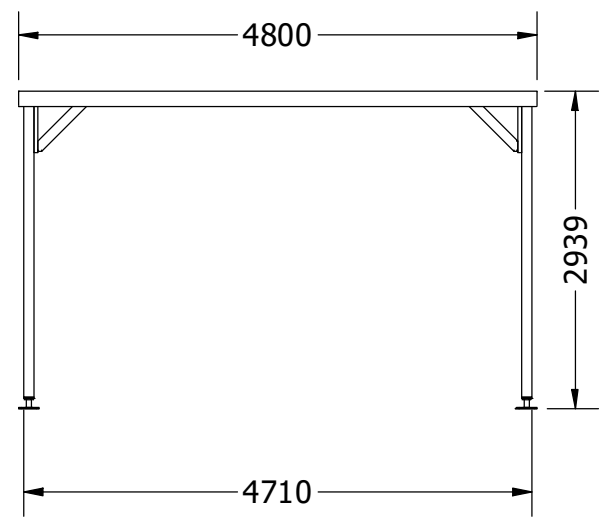
D

D



C

C



B

B

A

A

DRAWN J. Pappas	2/6/2021	Article No. <b>C0162021 - 2</b>	
		Pappas J. Sport	
		SCALE	1 / 70
		SHEET 2 OF 2	
			REV

6 5 4 3 2 1