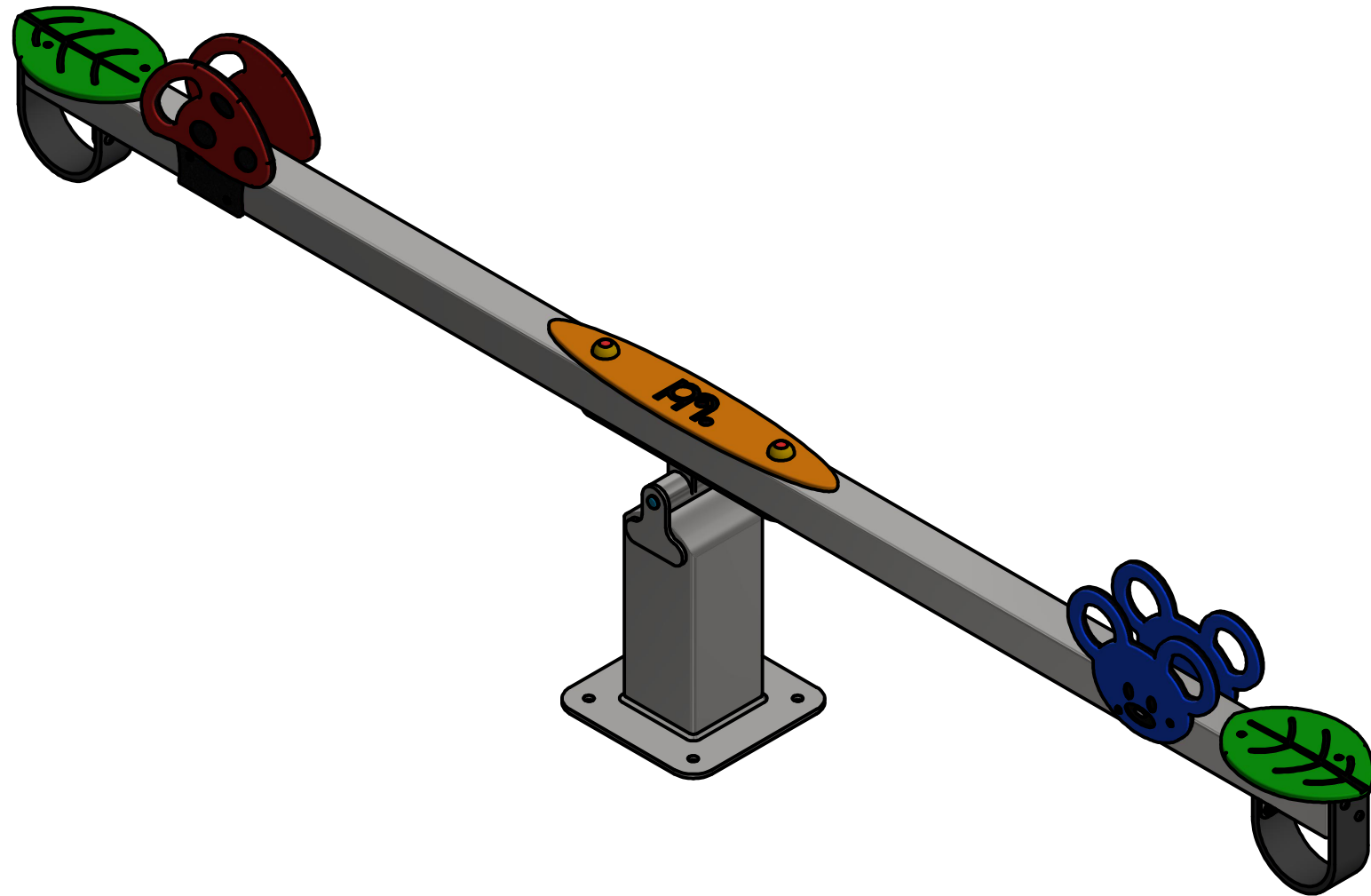

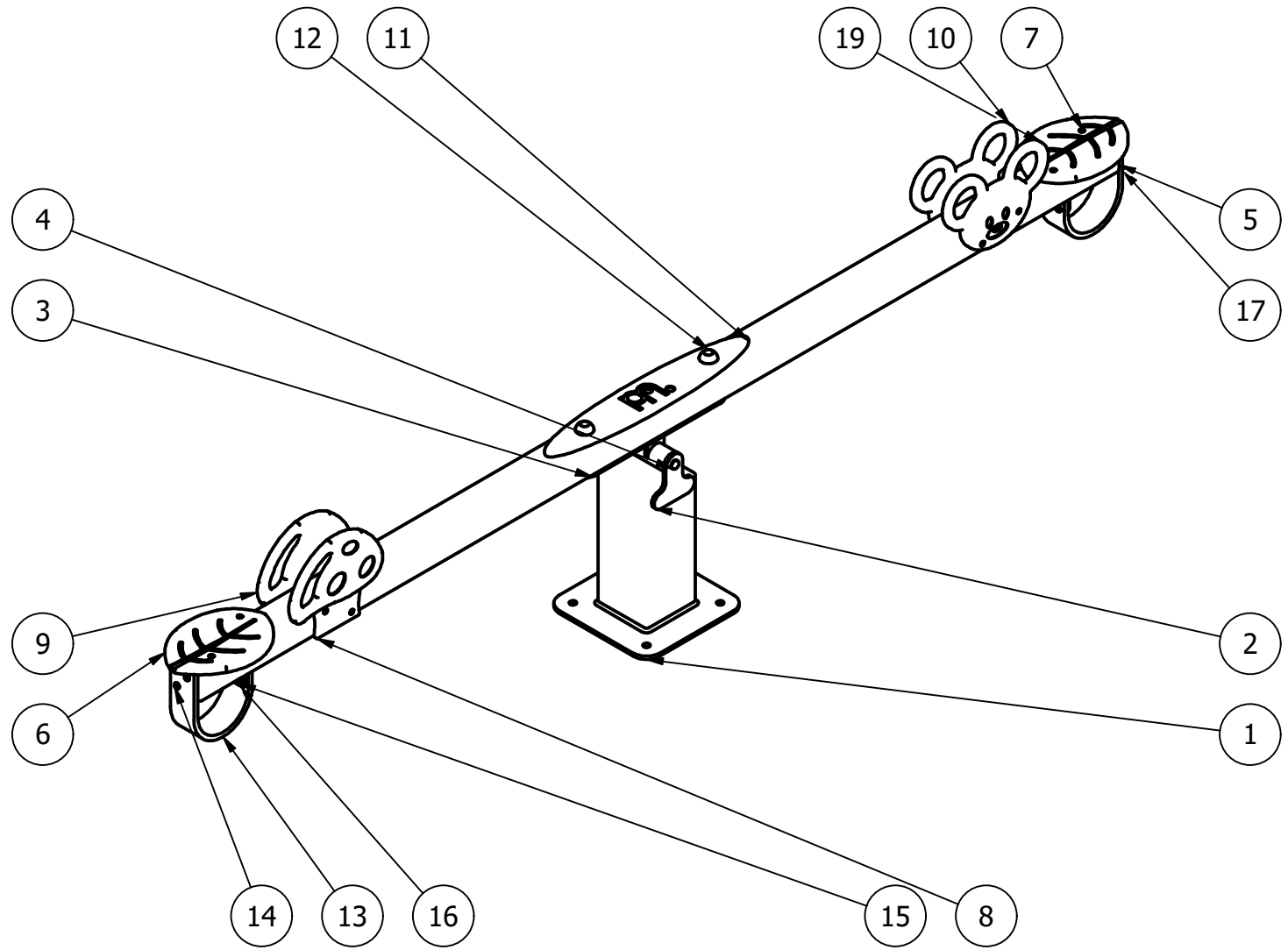


# ΜΕΤΑΛΛΙΚΗ ΤΡΑΜΠΑΛΑ 2 ΘΕΣΕΩΝ




DRAWN J. Pappas	1/12/2020	Article No. <b>P003B</b>		
				
			Pappas J. Sport	REV
	SCALE	1/10	SHEET 1 OF 4	

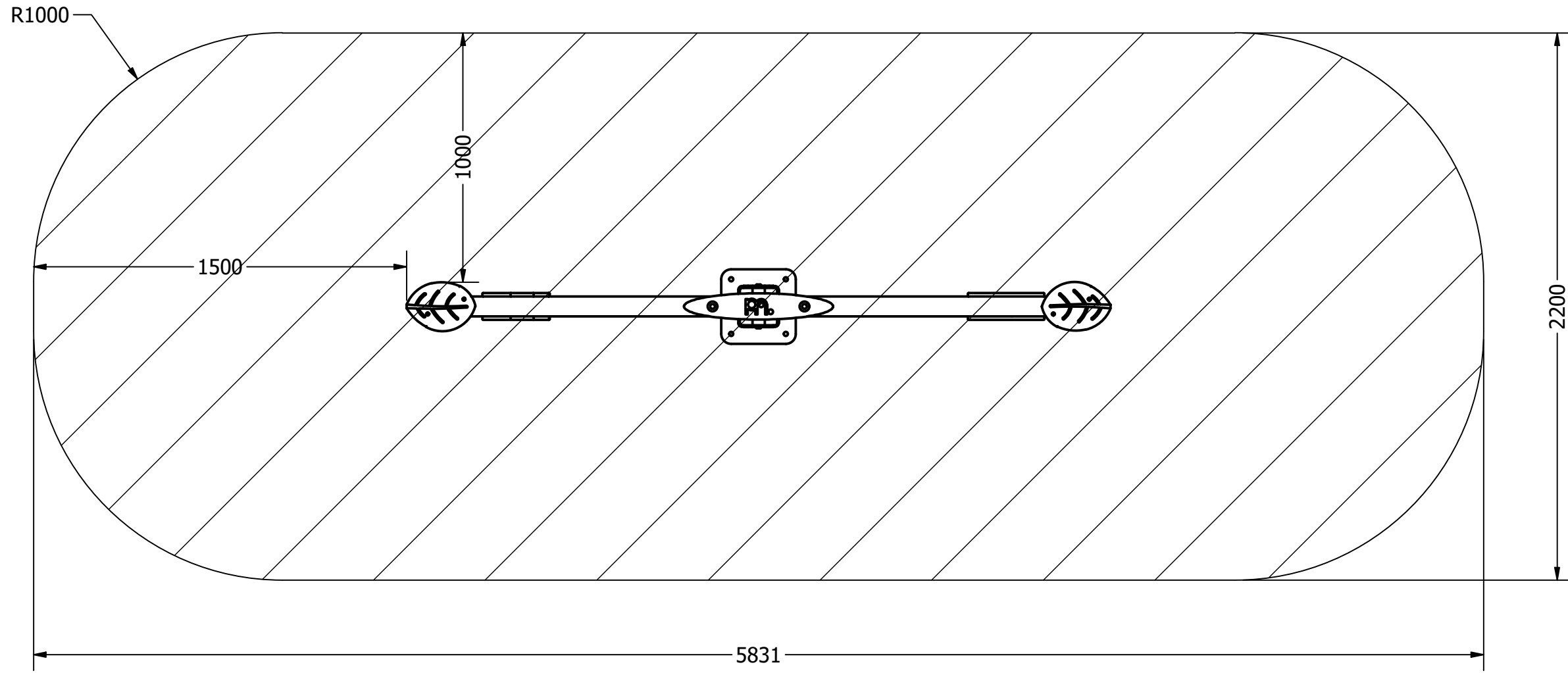





PARTS LIST			
ITEM	QTY	PART NUMBER	DESCRIPTION
1	1	2311202 001	
2	2	2311202 002	
3	1	2311202 003	
4	1	2311202 004	
5	1	2311202 005	
6	2	2311202 006	
7	12	Screw GB/T 15856.2-2002 ST 6.3 X 25	Cross recessed countersunk head drilling screws — Wood Screw GB/T 15856.2-2002 was withdrawn and replaced by Screw GB/T 15856.2 - H
8	1	2311202 007	
9	1	2311202 007_MIR	
10	1	2311202 008	
11	1	2311202 009	
12	2	15092018 01t 40	
13	1	2311202 010	
14	4	ANSI B18.3.4M - M8 x 1.25 x 35, BHSBHCSM	Broached Hexagon Socket Button Head Cap Screw - Metric
15	4	ANSI B18.3.4M - M8 x 1.25 x 25, BHSBHCSM	Broached Hexagon Socket Button Head Cap Screw - Metric
16	4	ISO 4161 - M8	Hexagon nuts with flange -- Coarse thread
17	1	2311202 010_MIR	
18	4	ANSI B18.3.4M - M10 x 1.5 x 60, BHSBHCSM	Broached Hexagon Socket Button Head Cap Screw - Metric
19	1	2311202 008_MIR1	

DRAWN J. Pappas	1/12/2020	Article No. <b>P003B</b>	
			
		Pappas J. Sport	REV
	SCALE	1/14	SHEET 3 OF 4

Επιφάνεια πτώσης ~12m<sup>2</sup>



DRAWN J. Pappas	1/12/2020	Article No. <b>P003B</b>	
			
		Pappas J. Sport	REV
	SCALE	1/20	SHEET 4 OF 4