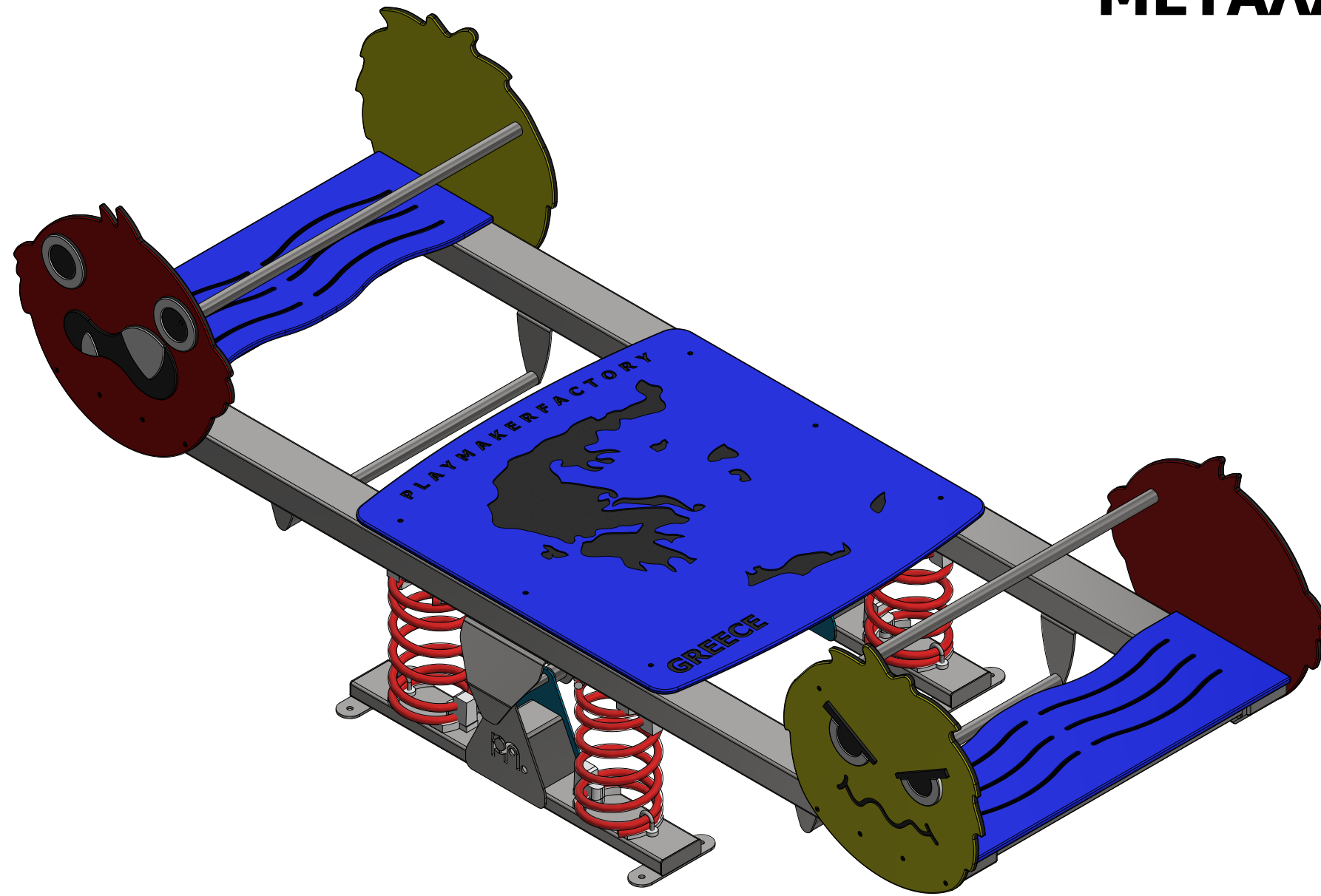



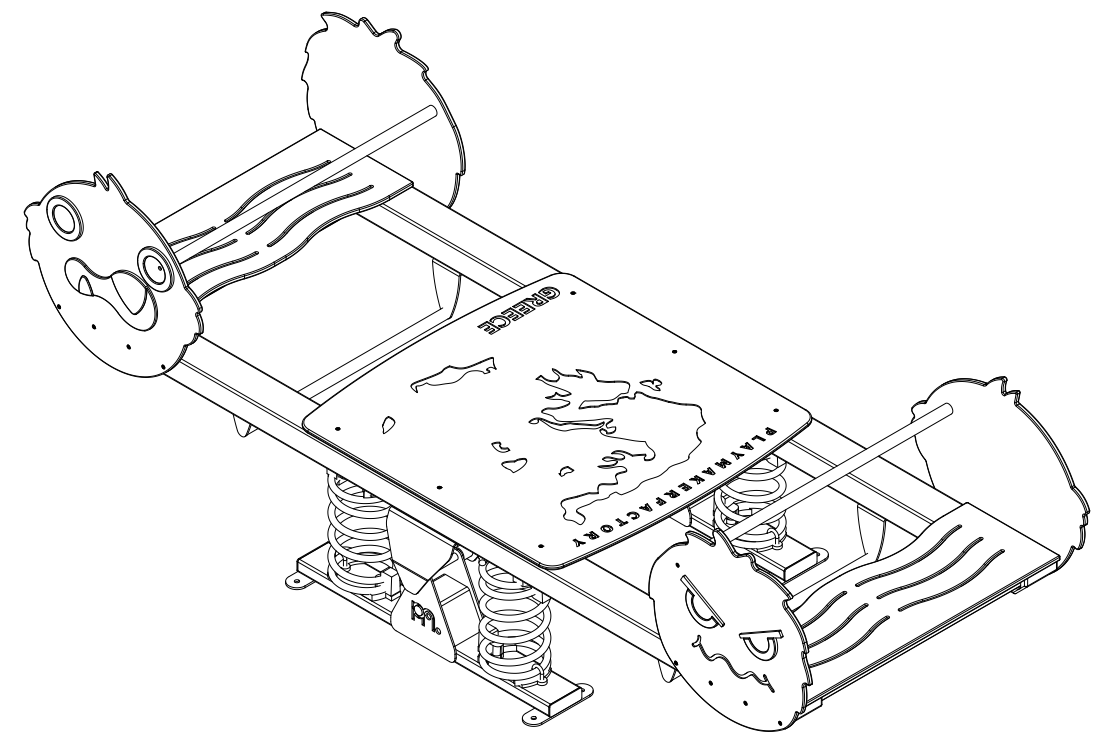
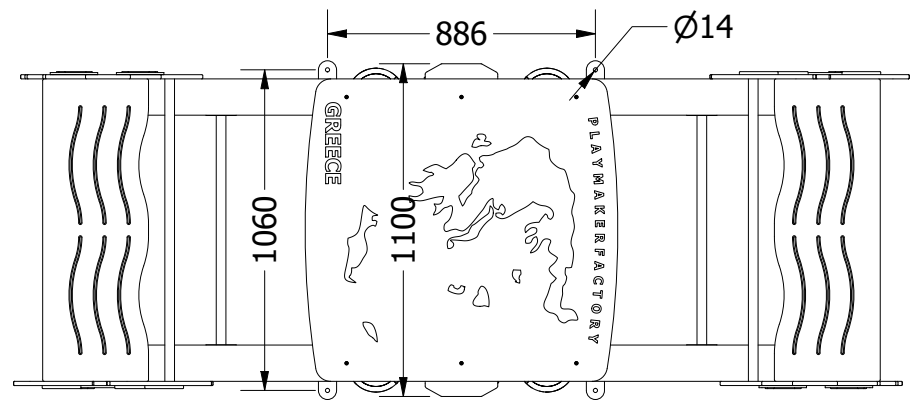
ΜΕΤΑΛΛΙΚΗ ΤΡΑΜΠΑΛΑ 4 ΘΕΣΕΩΝ



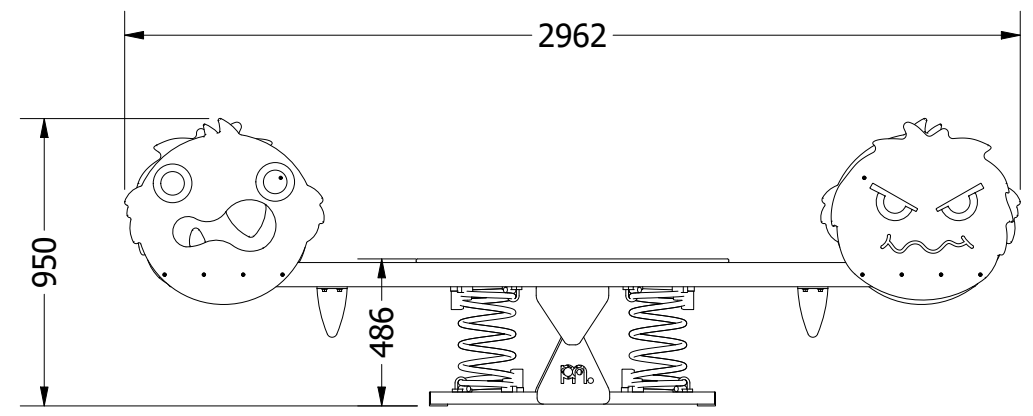
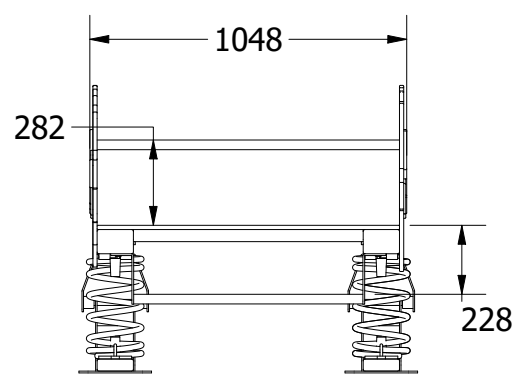
DRAWN J. Pappas	1/12/2020	Article No. P004B		
				
		Pappas J. Sport		REV
	SCALE	1/12	SHEET 1 OF 4	

6 5 4 3 2 1

D




C

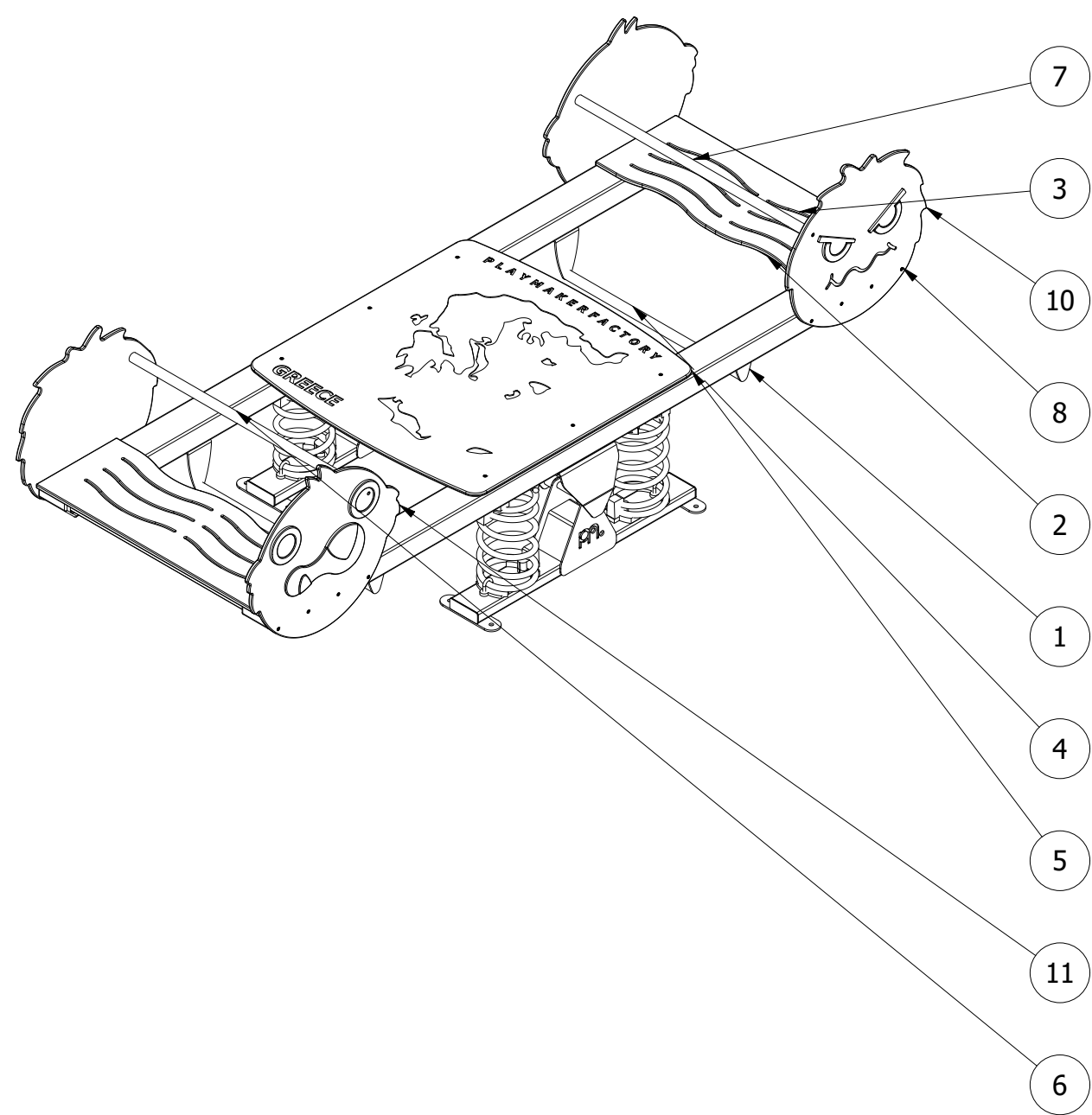


B


A

DRAWN J. Pappas	1/12/2020	Article No. P004B	
			
		Pappas J. Sport	REV
SCALE	1/25	SHEET 2 OF 4	

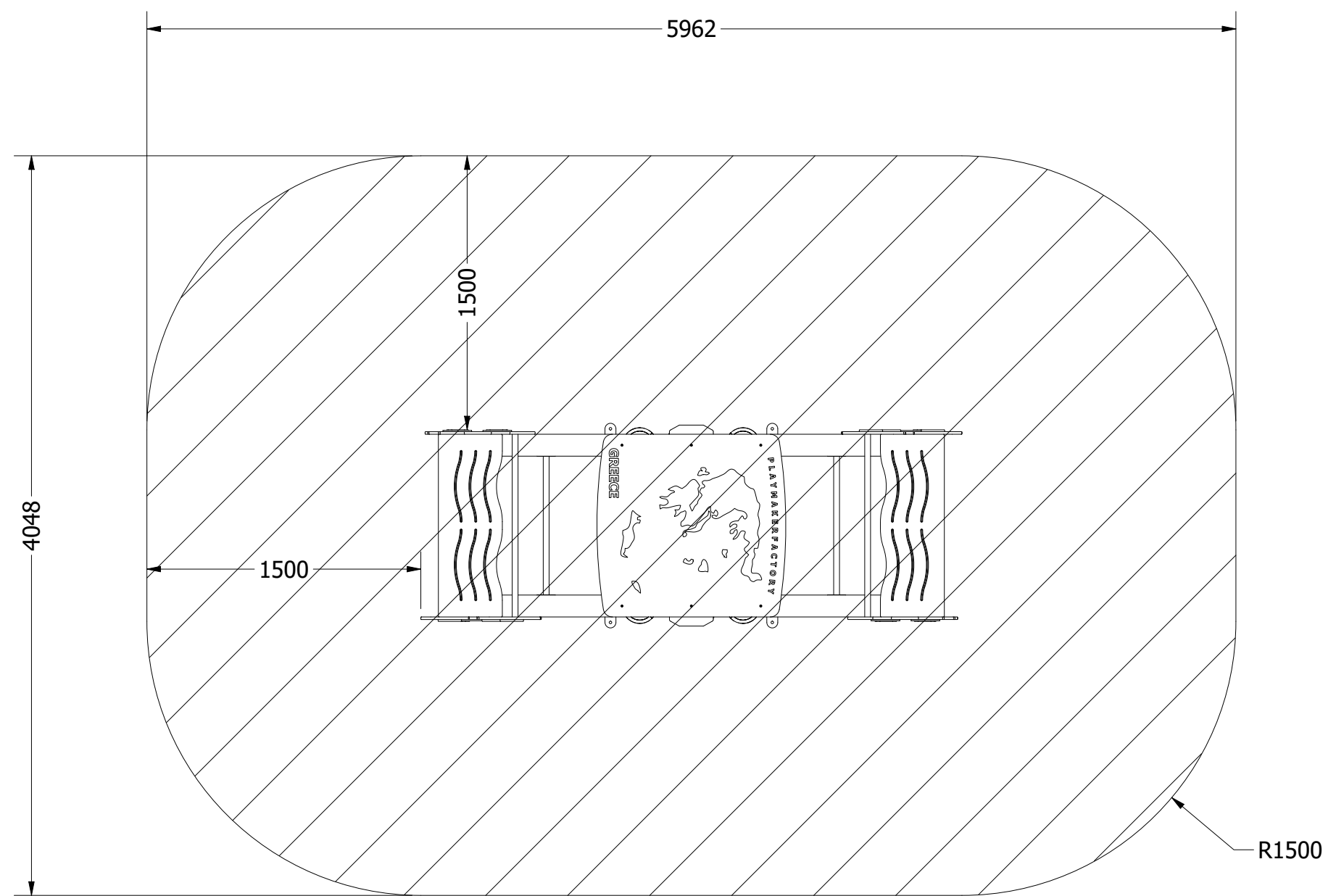
6 5 4 3 2 1



PARTS LIST			
ITEM	QTY	PART NUMBER	DESCRIPTION
1	2	22112020 22	
2	2	22112020 23	
3	2	23112020 03	
4	2	29112020 002	
5	1	29112020 003	
6	1	29112020 005	
7	1	29112020 005_MIR	
8	26	Screw GB/T 15856.2-2002 ST 6.3 X 38	Cross recessed countersunk head drilling screws — Wood Screw GB/T 15856.2-2002 was withdrawn and replaced by Screw GB/T 15856.2 - H
9	8	Hexagon head bolt with flange GOST ISO 416 2 - M10x35 - F - 8.8	Hexagon flange reduced head bolts
10	2	29112020 004 HDPE MONSTER N1	
11	2	30112020 001 HDPE	

DRAWN J. Pappas	1/12/2020	Article No. P004B	
			
		Pappas J. Sport	REV
	SCALE	1/20	SHEET 3 OF 4

Επιφάνεια πτώσης ~22.2m²



DRAWN J. Pappas	1/12/2020	Article No. P004B	
		Pappas J. Sport	REV
SCALE	1/30	SHEET 4 OF 4	